

Mighty Arc® II Followspot



Description

Compact, versatile and bright, the **Mighty Arc II/S** is a narrow beam, very high output followspot designed to compete with the fixture intensive light plots of today's concert tours. At only 33" it is extremely compact and quickly gaining recognition as the number one choice for truss mounted applications. The versatile Mighty Arc II/S is available with a custom designed overhanging yoke, medium duty stand or sturdy four point collapsible base. These options allow for conventional use or adaptation to special close-in positions where brightness counts.

Other features include coated optics, energy saving solid state power supply for 120 or 240 volt operation and a cooling system that extends lamp life and makes the Mighty Arc II/S a comfortable followspot to operate in close quarters.

The light source is the bright and efficient 400 watt Osram HTI, a compact source metal halide arc tube positioned for maximum output in a specially designed dichroic reflector. When you change the lamp you change the reflector, giving continuous maximum output. The HTI has a rated life of 250 hours and a constant color temperature of 5600° Kelvin. Lamp changing is safe and easy.

FEATURES

- throws from 35-150 feet
- 3:1 zoom range
- energy saving solid state power supply
- draws less than 8 amps
- douser, iris and clipper
- built-in, six-color automatic color changer
- superb lumen maintenance
- independent manual front and rear lens adjustment
- easy to transport – easy to operate – easy to afford

OPTIONS

CUSTOM ROAD CASE

Rugged, fiberglass coated, lightweight; designed specifically for the Mighty Arc II/S.

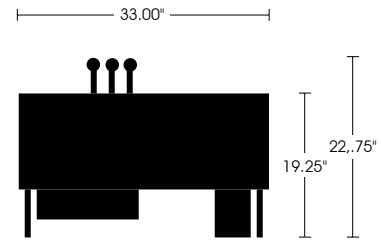
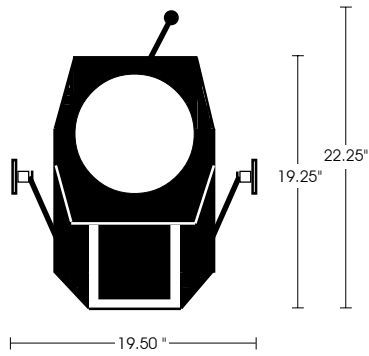
Available for 220/240 volt 50Hz AC operation.

Available with medium duty stand or heavy duty four point collapsible base.

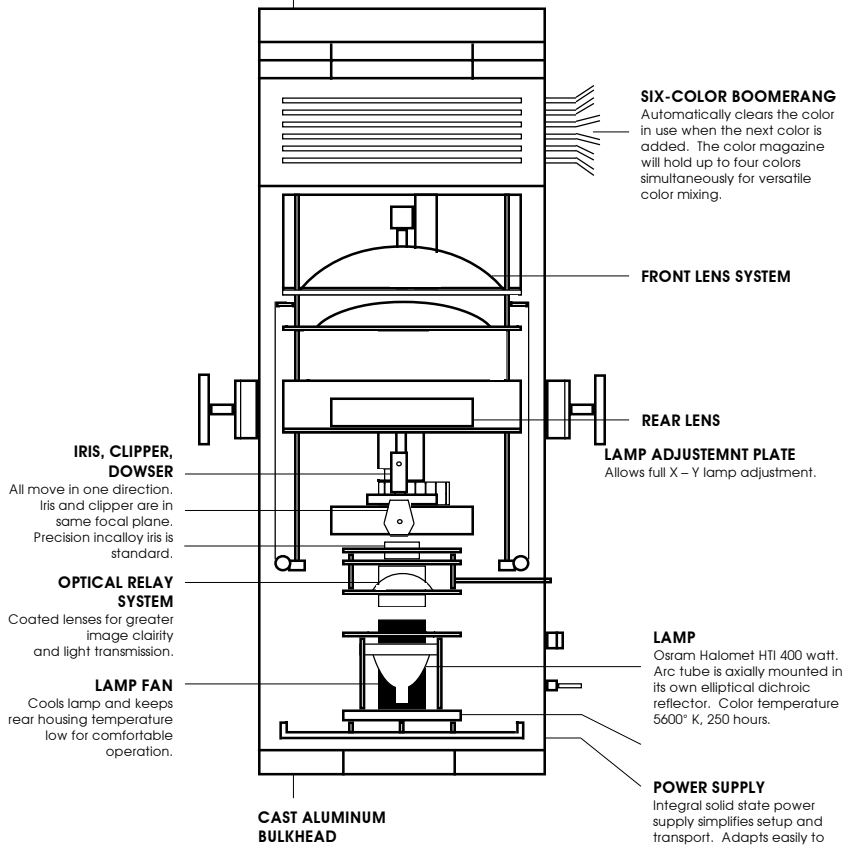
Mighty Arc
SERIES
II

**PHOEBUS
MANUFACTURING**

A division of The Phoebus Company, Inc.
2800 Third Street
San Francisco, CA 94107
Tel. 415 550 1177
Fax. 415 550 2655
www.phoebus.com



CAST ALUMINUM BULKHEAD



SPECIFICATIONS*

Head Length	33.00"
Head Height	19.25"
Overall Head Height	22.75"
Overall Height w/Base	50.00"
Height of Pivot Point	37.50"
Floor to Beam Center	40.50"
Base Width	42.00"
Front Clearance Radius for:	
Vertical Movement	22.00"
Horizontal Movement	21.00"
Rear Clearance Radius for:	
Vertical Movement	19.00"
Horizontal Movement	17.00"
Maximum Height at Rear with Downward Tilt	54.00"
Maximum Height at Front with Upward Tilt	55.00"
Maximum Downward Tilt	
From Horizontal	45°
Maximum Upward Tilt	
From Horizontal	40°
Horizontal Sweep	360°
Lamp	HTI 400 Watt
Power Requirement	8 A 120 VAC

Total Operating Weight Including Base **97 lbs**

* Dimensions shown are for unit with heavy duty four point collapsible base.

Mighty Arc II Optical System Performance At Various Distances

Throw In Feet	Spot			Flood		
	Min Diam	Max Diam	Footcandles	Min Diam	Max Diam	Footcandles
35	4"	2' 2"	2610	8"	5' 4"	950
50	6"	3' 1"	1280	11"	6' 4"	465
75	9"	4' 8"	650	1' 4"	9' 6"	234
100	1'	6' 2"	365	1' 10"	12' 8"	135
150	1' 6"	9' 3"	160	2' 9"	19'	60
200	2'	12' 4"	90	3' 8"	25'	34