

# Silverbeam PSL-20

## 3K, 4K, 7K Xenon Searchlight



### FEATURES

- 20" nickel based rhodium plated reflector
- 3,000, 4,000, 7,000 watt xenon light source (lamp included)
- 1,000 hour lamp life (3,000 watt and 4,000 watt)
- 500 hour lamp life (7,000 watt)
- 5600° Kelvin color temperature
- focusable beam
- lightweight aluminum housing and bulkheads
- 220 volt three phase magnetic ballast

### ACCESSORIES

- revolver
- hanging yoke kit
- floor pad
- rolling stand
- shutters (manual)
- shutters (motorized)
- motor zoom focus
- dolly
- color magazine
- head extension cable
- lightweight solid state ballast

### DESCRIPTION

The **Silverbeam PSL-20/3K**, **PSL-20/4K** and the **PSL-20/7K** are high intensity searchlight systems designed for use in advertising, television/motion picture production and special event lighting applications.

For special effects, when maximum beam candlepower is called for, the PSL-20/4K delivers 17,500 footcandles at 100 feet. A specially designed 20" rhodium plated, electro formed reflector is used to produce maximum peak beam power from either a 3,000, 4,000 or a 7,000 watt xenon lamp. Both the 3,000 and 4,000 watt xenon lamps have a rated life of 1,000 hours and a constant color temperature of 5600° Kelvin. The 7,000 watt xenon lamp has a rated life of 500 hours. Color temperature will not change over the life of the lamp, making it ideal for television and motion picture lighting. Also, because xenon lights run on pulsed DC current they deliver flicker-free light for high speed film or video.

Lightweight, rugged aluminum housing and bulkhead combination insure years of safe, reliable service. A low noise, efficient cooling system brings fresh air into the lamp housing, drawing it over the lamp and reflector.

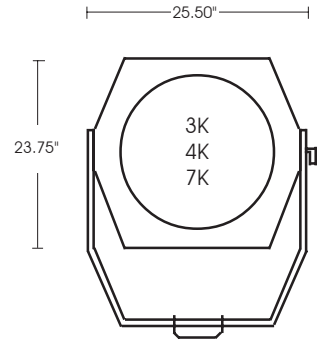
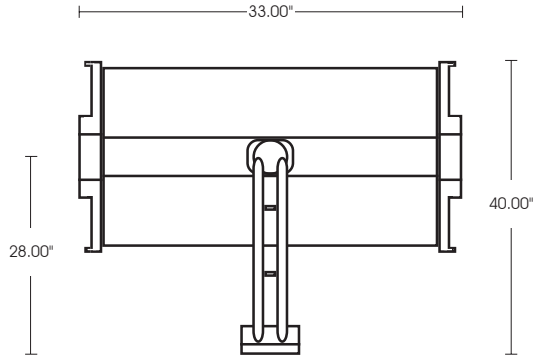
External focus control allows the operator to quickly go from a collimated narrow beam, for maximum candlepower, to a wide flood pattern.

The Silverbeam PSL-20/3K, PSL-20/4K and PSL-20/7K operate on 208-237 volt/ three phase power and features a proven reliable magnetic ballast. Ballast options include a road case with casters, a motion picture style cart or a waterproof architectural enclosure. A light weight solid state ballast is also available.



## PHOEBUS MANUFACTURING

A division of The Phoebus Company, Inc.  
2800 Third Street  
San Francisco, CA 94107  
Tel. 415 550 1177  
Fax. 415 550 2655  
[www.phoebus.com](http://www.phoebus.com)



**SPECIFICATIONS**

Head Length	33.00"
Head Width	25.50"
Head Height	23.75"
Overall Height w/Yoke	40.00"
Height of Pivot Point	28.00"
Horizontal Sweep	360°
Lamp	3,000, 4,000 or 7,000 Watt Xenon
Power Requirement	3K – 15 amp 3 Phase 208 volt 4K – 23 amp 3 Phase 208 volt 7K – 35 amp 3 Phase 208 volt
Weight of Head and Yoke	110 lbs.

**SILVERBEAM MODELS**

- PSL-20/S/3K (Standard)
- PSL-20/S/4K
- PSL-20/S/7K
- PSL-20/MP/3K (Motion Picture)
- PSL-20/MP/4K
- PSL-20/MP/7K
- PSL-20/A/3K (Architectural)
- PSL-20/A/4K
- PSL-20/A/7K

**APPLICATIONS**

- Advertising, Theatrical, Concert Tours
- Advertising, Theatrical, Concert Tours
- Advertising, Theatrical, Concert Tours
- Motion Picture/Television, Photography
- Motion Picture/Television, Photography
- Motion Picture/Television, Photography
- Full Time Outdoor Applications
- Full Time Outdoor Applications
- Full Time Outdoor Applications

**PRELIMINARY PHOTOMETRICS**

Distance in Feet	Diameter	Beam Angle	Footcandles		
Position #1	VNSP – Maximum Beam Candlepower		3K	4K	7K
50	20 inch	Collimated	51,000	70,000	105,000
100	20 inch	Collimated	12,750	17,500	26,250
200	20 inch	Collimated	3,188	4,500	6,750
Position #2	NSP – Average Beam Setting				
50	14 inch	1.5 Degrees	32,000	54,000	81,000
100	24 inch	1.5 Degrees	8,000	13,500	20,250
200	36 inch	1.5 Degrees	2,000	3,400	5,100
Position #3	WFL – Wide Angle Setting				
50	5 feet	10 Degrees	6,500	11,250	16,875
100	10 feet	10 Degrees	1,625	2,813	4,220
200	25 feet	10 Degrees	406	700	1,050