

Silverbeam PSL-9 1K Xenon Searchlight



DESCRIPTION

The **Silverbeam PSL-9/1K** is a compact high intensity searchlight system designed for use in security, architectural, television/motion picture production, advertising and special event lighting applications.

A powerful 1,000 watt xenon lamp combined with a specially designed rhodium plated, electroformed reflector produces maximum peak beam candlepower. The 1,000 watt xenon lamp has a rated life of 2,000 hours and a constant color temperature of 5600° Kelvin. Color temperature will not change over the life of the lamp, making it ideal for television and motion picture lighting. Also, because xenon lights run on pulsed DC current they deliver flicker-free light for high speed film or video.

Lightweight rugged aluminum housing and bulkhead combination insure years of safe reliable service. A low noise, efficient cooling system brings fresh air into the lamp housing drawing it over the lamp and reflector. External focus control allows the operator to quickly go from a collimated narrow beam, for maximum candlepower, to a wide flood pattern.

The Silverbeam PSL-9 operates on standard 120 volt 50/60 Hz AC power and features a proven reliable magnetic ballast. Ballast options include a road case with casters, a motion picture style cart or a waterproof architectural enclosure. A light weight solid state ballast is also available.

FEATURES

- 9" nickel based rhodium plated reflector
- 1,000 watt xenon light source (lamp included)
- 2,000 hour lamp life
- 5600° Kelvin color temperature
- focusable beam
- lightweight aluminum housing and bulkheads
- 120 volt single phase magnetic ballast
- compact and versatile

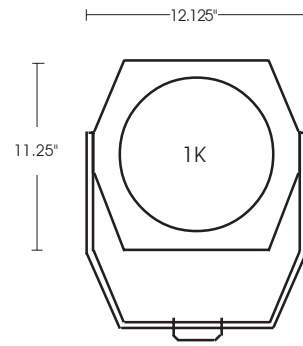
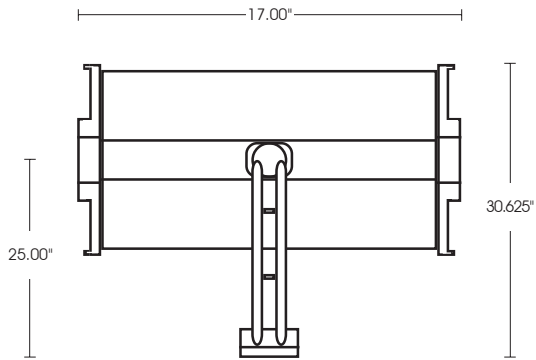
ACCESSORIES

- revolver
- hanging yoke kit
- floor pad
- rolling stand
- shutters (manual)
- shutters (motorized)
- motor zoom focus
- dolly
- color magazine
- head extension cable
- lightweight solid state ballast



PHOEBUS MANUFACTURING

A division of The Phoebus Company, Inc.
2800 Third Street
San Francisco, CA 94107
Tel. 415 550 1177
Fax. 415 550 2655
www.phoebus.com



SPECIFICATIONS

Head Length	17.00"
Head Width	12.125"
Head Height	11.25"
Overall Height w/Yoke	30.625"
Height of Pivot Point	25.00"
Horizontal Sweep	360°
Lamp	1,000 Watt Xenon
Power Requirement	120 Volts
Weight of Head and Yoke	52 lbs.

SILVERBEAM MODELS

- PSL-9/S/1K (Standard)
- PSL-9/MP/1K (Motion Picture)
- PSL-9/A/1K (Architectural)

APPLICATIONS

- Advertising, Theatrical, Concert Tours
- Motion Picture/Television, Photography
- Full Time Outdoor Applications

PRELIMINARY PHOTOMETRICS

Distance in Feet	Diameter	Beam Angle	Footcandles
Position #1	VNSP – Maximum Beam Candlepower		
50	12 inch	Collimated	14,500
100	14 inch	Collimated	3,625
200	18 inch	Collimated	906
Position #2	NSP – Average Beam Setting		
50	14 inch	1.5 Degrees	9,500
100	24 inch	1.5 Degrees	2,375
200	36 inch	1.5 Degrees	600
Position #3	WFL – Wide Angle Setting		
50	5 feet	10 Degrees	1,750
100	10 feet	10 Degrees	438
200	25 feet	10 Degrees	110