

Ultra Arc[®] Titan

Short Throw Followspot



DESCRIPTION

The **Ultra Arc Titan** is the latest addition to the Ultra Arc family of high intensity followspots from Phoebus Manufacturing. Constructed of the highest quality components, the Titan continues the Ultra Arc tradition of dependability and insures years of safe reliable service.

The Titan features a 1200 watt single ended HMI lamp with a rated life of 750 hours and a color temperature of 5600° Kelvin.

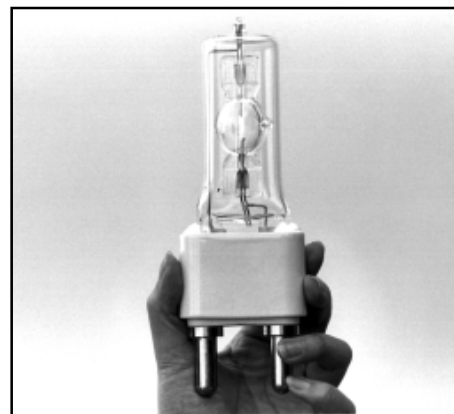
Designed for throws between 25 feet and 200 feet the Titan's precision lens system and a specially designed reflector produces maximum light output while maintaining a flat even field. A lightweight magnetic ballast draws less than 15 amps from standard 120 volt 50/60 Hz AC power

Options include a rugged, lightweight road case designed specially for the Titan, a 15 lb. solid state power supply, 220/240 volt 50 Hz operation and a hanging yoke.

Ideal for live event venues the Titan advances the Ultra Arc line of followspots to a new level of competitiveness and continues the legacy of quality, dependability and affordability. Ease of handling and quality construction insure that the Ultra Arc line of followspots will cover any application from the smallest schools, clubs and churches to full-scale entertainment facilities.

FEATURES

- throws from 25-200 feet
- 3:1 zoom range
- draws less than 15 amps
- 750 hour lamp life
- dowser, iris and clipper
- built-in, six-color automatic color changer
- steep 70° downward tilt and 60° upward tilt
- full 360° horizontal sweep
- efficient forced air cooling
- superb lumen maintenance
- hour meter
- lightweight aluminum housing, chassis, bulkheads and components
- magnetic power supply
- sturdy 4-point collapsible base
- quiet and cool running
- easy to transport – easy to operate – easy to afford
- Rear-Quick and easy access panel for light field adjustments

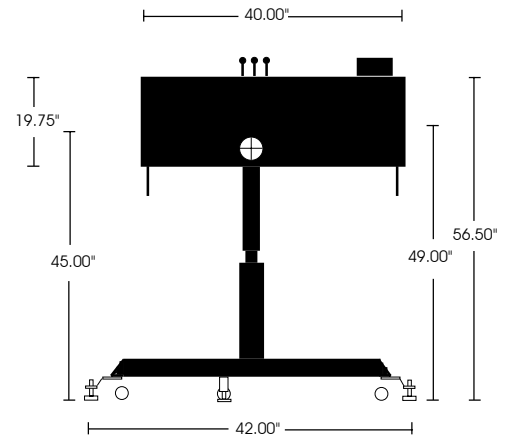
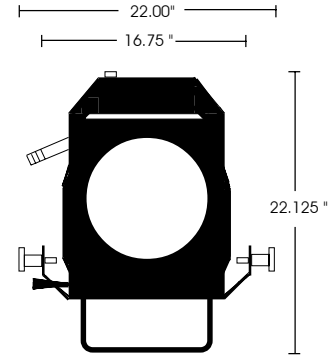
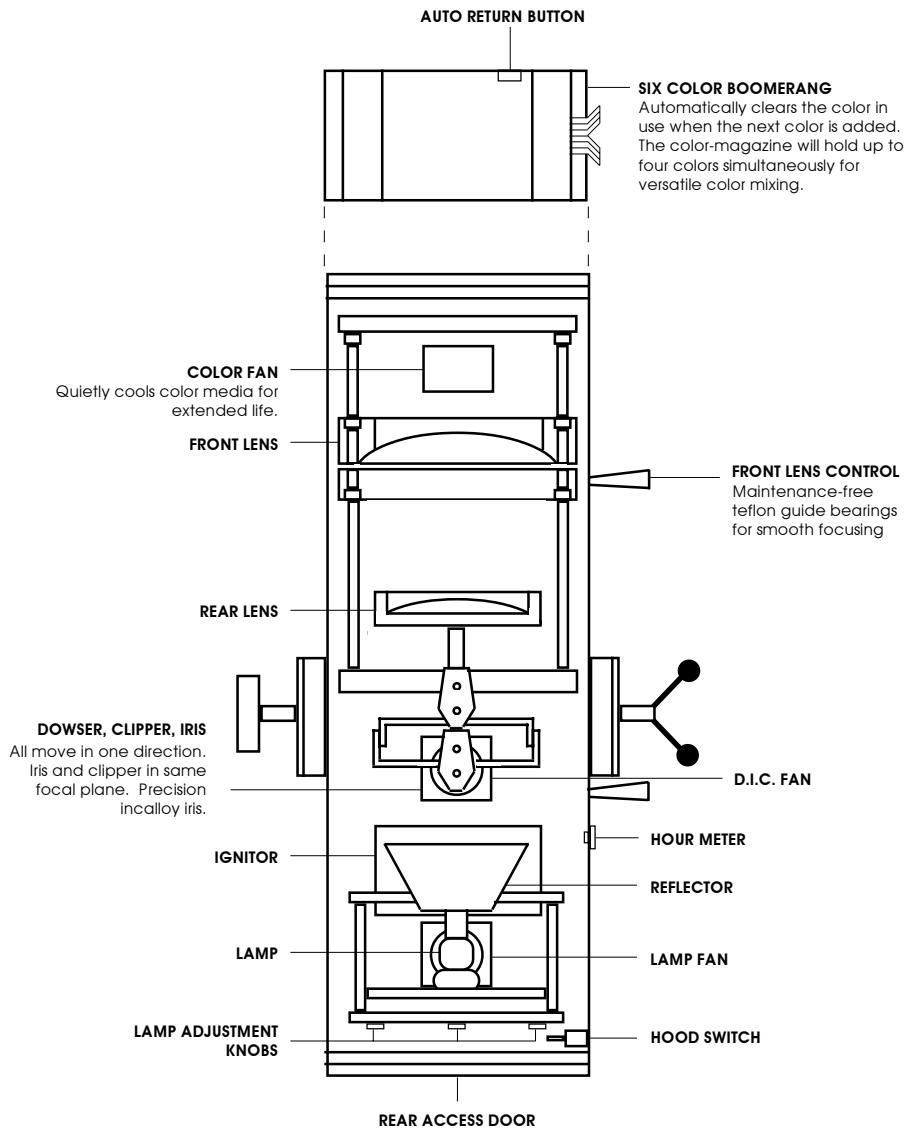


1200WSE lamp



PHOEBUS MANUFACTURING

A division of The Phoebus Company, Inc.
2800 Third Street
San Francisco, CA 94107
Tel. 415 550 1177
Fax. 415 550 2655
www.phoebus.com



SPECIFICATIONS

Head Length	40.00"
Overall Head Height	19.75"
Overall Height w/Base	56.50"
Height of Pivot Point	45.00"
Floor to Beam Center	49.00"
Base Width	42.00"
Front Clearance Radius for:	
Vertical Movement	26.00"
Horizontal Movement	24.00"
Rear Clearance Radius for:	
Vertical Movement	23.00"
Horizontal Movement	24.00"
Maximum Height at Rear with Downward Tilt	68.00"
Maximum Height at Front with Upward Tilt	70.50"
Maximum Downward Tilt From Horizontal	70°
Maximum Upward Tilt From Horizontal	60°
Horizontal Sweep	360°
Lamp	HMI 1200 Watt
Power Requirement	15A 120VAC
Head Weight	75 lbs
Ballast Weight	43 lbs
Base Weight	40 lbs
Chord Length	

Titan Short Throw Optical System Performance At Various Distances

Throw In Feet	Spot			Flood		
	Min Diam	Max Diam	Footcandles	Min Diam	Max Diam	Footcandles
20	8"	32"	3000	16"	8' 5"	700
30	12"	4'	1350	24"	8' 6"	310
50	20"	6' 6"	500	40"	14'	110
100	40"	13"	120	6' 6"	28' 6"	30
150	5'	20'	55	10'	42'	12
200	6' 6"	26'	30	13'	56'	7

Note: Measurements were completed with a flat field setting and an Osram 1200W/SE lamp.